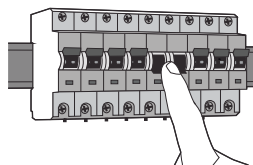


## YORK

44784...  
44785...



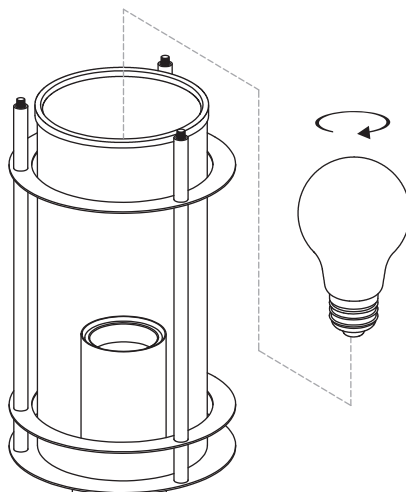
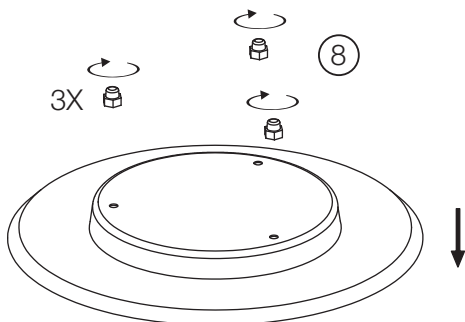
①



**OFF**

3X

⑧



⑦

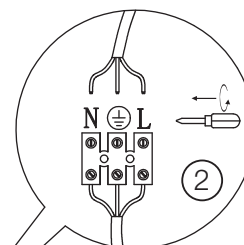
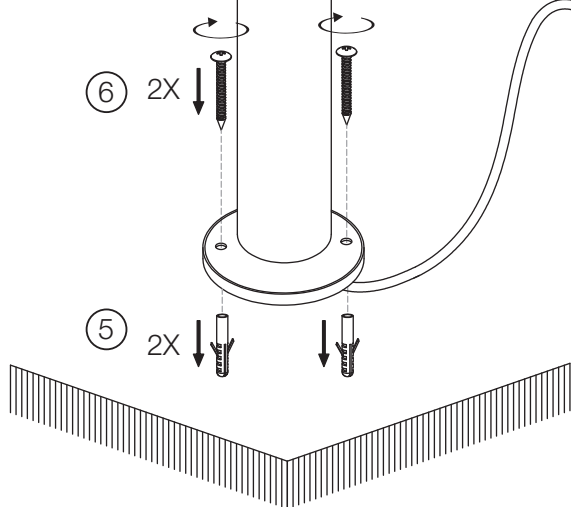
No incl.

⑥

2X

⑤

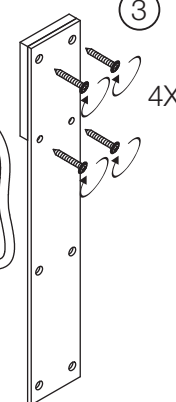
2X



②

③

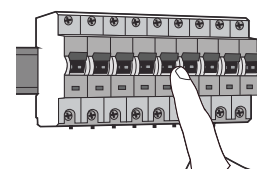
4X



④

2X

⑨



**ON**